



Lexmark MX810 Series

High-performance monochrome printing meets rapid color scanning and smart MFP features in a multifunction product (MFP) that's available with a choice of finishers and input trays in a freestanding on-floor configuration.

Workgroup-ready

Fast printing and imaging: The Lexmark MX810 Series features workgroup-ready print speeds of up to 70 pages per minute and duplex color scanning at a class-leading* speed of up to 140 images per minute.⁴

The right hardware: Blaze through complex jobs with an 800MHz dual-core processor, memory that expands up to 3 GB and Gigabit Ethernet. Your first page emerges in as little as four seconds.

Turn up the volume: Recommended monthly print volume of up to 100,000 pages³ handles the pressure of demanding environments. And thanks to input capacity of up to 2,750 sheets and an optional high yield toner cartridge, you'll spend more time printing and less time adding paper and changing cartridges.



Up to 70 ppm



10-in.
touch screen



Finishing function



Security



Finish with quality: The MX810 series addresses high-volume network printing demands with a variety of finishing configurations that may include (depending on model) one of the following: dual-position job offset stacker, single-position stapler for up to 50 sheets per set, combination staple/hole punch finisher or 4-bin mailbox. It can even let you know when its staple supply is low or its output bin is full.

Smart and connected

Shortcuts and solutions: Touch the series' 10-inch class color screen and access shortcuts to scan, print, copy or send faxes, emails and other documents. Preloaded business solutions simplify your work processes and increase productivity, while optional apps help you take on special challenges.

Systematic efficiency: The MX810 Series is part of the Lexmark smart MFP ecosystem, which transforms MFPs from isolated islands to active, networked participants in enhanced workflow and improved productivity. Together with your existing IT infrastructure and applications (or Lexmark enterprise software), the Lexmark smart MFP ecosystem bridges paper and digital—unstructured and structured information—with devices and connections that drive your business forward.

Maximum manageability: The series works with Lexmark device and fleet management, giving your organization centralized ability to discover devices, track assets, monitor and correct issues, as well as securely configure and manage devices like the MX810 Series from anywhere.

*Class comparison based on large workgroup mono A4 multifunction printers priced at \$2,000 or more as of January 2015

Mobile printing: Print from desktop systems as well as mobile devices with standard Lexmark Mobile OS support⁶ and optional Lexmark Print Management.

Integrated extras

Multifeed detection: Automatic document feeders can miss something important if two sheets of paper stick together during scanning. The Lexmark MX810 Series' multifeed sensor transmits high-frequency sound waves through paper during automated scanning to make sure every page gets scanned. If two pages stick together and feed as one, you'll be notified so you can restart, disable further detection or cancel the scan job.

Front USB port: Print without a PC through a convenient USB port. Just choose a file, preview, and print PDFs and many other file formats.

Diverse media support: With built-in two-sided printing and the ability to print on diverse materials, you can tackle a wider variety of tasks and use less paper.

Innovative toner: Get greater system performance with Lexmark's Unison™ Toner, which delivers consistent image quality from the first print to the last.

Flexible configuration: Configure the MX810 Series with one of four available finishing units and a variety of input trays, all on a caster base that supports multiple configurations.

Security plus

More secure remote management: Restrict device management to authorized personnel.

More secure network interfaces: Embedded features harden Lexmark MFPs against unauthorized access.

More secure access: Confirm user identity and enforce predefined user access controls.

More secure data: Protect data at rest with encrypted hard disks, memory and hard disk wiping, and removable hard drives.

Solutions: Enhance the security of your environment with optional solutions like print release, Automatic Certificate Enrollment (ACE), Secure Held Print Jobs, smart card authentication and Secure Content Monitor.

Security standard compliance: Device benefits from Lexmark's proven security expertise through stringent government security certifications.



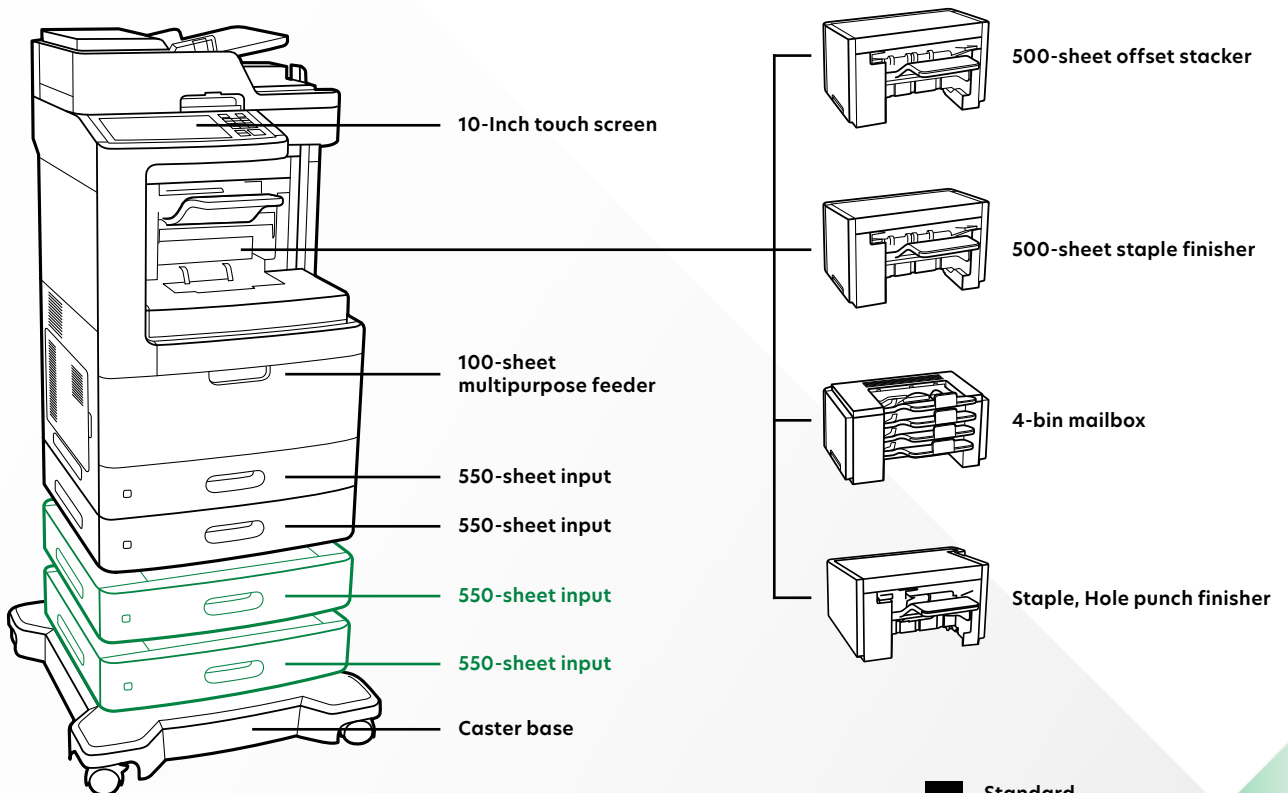
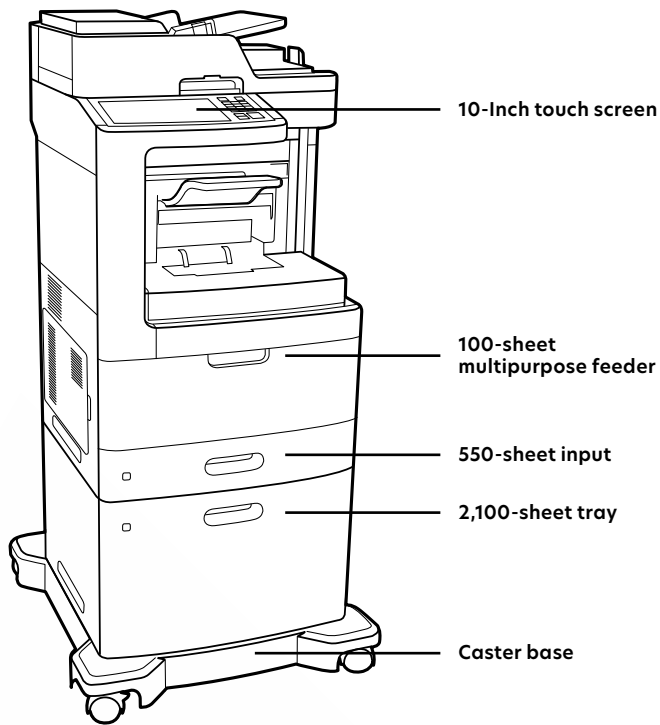
MX810 Series printer features

Product specifications	Lexmark MX810dfe / MX810 dxfe	Lexmark MX811dfe / MX811dxfe	Lexmark MX812dfe / MX812dxfe
Printing			
Function	Printing, network scanning, faxing, copying, color scanning		
Display	Lexmark e-Task 10 Inch (25.9 cm) class color touch screen		
Print speed: Up to ⁴	Black: 55 ppm	Black: 63 ppm	Black: 70 ppm
Time to first page: As fast as	Black: 4.8 seconds	Black: 4.4 seconds	Black: 4.0 seconds
Print resolution	Black 600 x 600 dpi, 1200 Image Quality, 2400 Image Quality, 1200 x 1200 dpi		
Memory / processor	Standard: 1,024 MB / Maximum: 3,072 MB / Processor: Dual Core, 800 MHz		
Hard disk	Included in configuration		
Recommended monthly page volume ³	5,000 - 100,000 pages		
Maximum monthly duty cycle: Up to ²	350,000 pages per month		
Copying			
Copy speed: Up to ⁴	Black: 55 cpm	Black: 63 cpm	Black: 70 cpm
Time to first copy: As fast as	Black: 4.5 seconds	Black: 4.2 seconds	Black: 4 seconds
Color Scanning			
Scanner type / ADF scan	Flatbed scanner with ADF / DADF (Single Pass Duplex) / 150 pages 20 lb or 75 gsm bond		
Duplex scan speed: Up to	A4/Ltr, Black: 132 / 140 sides per minute - A4/Ltr, Color: 132 / 140 sides per minute		
Simplex scan speed: Up to	A4/Ltr, Black: 66 / 70 sides per minute - A4/Ltr, Color: 66 / 70 sides per minute		
Optical scanning resolution	600 X 600 ppi (black), 300 X 300 ppi (color)		
Faxing			
Modem speed	ITU T.30, V.34 Half-Duplex, 33.6 Kbps		
Supplies⁵			
Laser cartridge yields	45,000 ¹ -page Extra High Yield Cartridge, 25,000 ¹ -page High Yield Cartridge, 6,000 ¹ -page Cartridge		
Cartridge(s) shipping with product	25,000 ¹ -page High Yield Return Program Toner Cartridge		
Paper handling			
Included paper handling (de)	500-sheet tray, 550-sheet output bin, integrated duplex, staple finisher, 100-sheet multipurpose feeder, 500-sheet input, staple and hole punch finisher		
Included paper handling (dxe)	2,100-sheet tray, staple finisher, 550-sheet input, 100-sheet multipurpose feeder, 550-sheet output bin, integrated duplex, staple and hole punch finisher		
Optional paper handling	de: 550-sheet tray – dxe: Not applicable		
Paper input capacity: Up to (de)	Standard: 1,200 pages 20 lb or 75 gsm bond / Maximum: 2,300 pages 20 lb or 75 gsm bond		
Paper input capacity standard: Up to (dxe)	Standard: 2,750 pages 20 lb or 75 gsm bond / Maximum: 2,750 pages 20 lb or 75 gsm bond		
Paper output capacity: Up to	Standard: 1,050 pages 20 lb or 75 gsm bond / Maximum: 1,050 pages 20 lb or 75 gsm bond		
Media types supported	Refer to the Card Stock & Label Guide, Paper Labels, Intergrated Labels, Dual Web Labels, Card Stock, Envelopes, Transparencies, Plain Paper		
Media sizes supported	A6, Oficio, Universal, Statement, Folio, DL Envelope, B5 Envelop, A4, 7 3/4 Envelope, 10 Envelope, 9 Envelope, A5, C5 Envelope, Executive, JIS-B5, Legal, Letter		
General			
Standard ports	Rear USB 2.0 Specification Hi-Speed Certified Port (Type A), One Internal Card Slot, Front USB 2.0 Specification Hi-Speed Certified Port (Type A), USB 2.0 Specification Hi-Speed Certified (Type B), Gigabit Ethernet (10/100/1000)		
Optional network ports / optional local ports	Internal MarkNet N8350 802.11b/g/n Wireless / Internal 1284-B Bidirectional Parallel, Internal RS-232C serial		
Noise level, operating	Printing: 55 dBA / Copy: 55 dBA / Scan: 57 dBA	Printing: 55 dBA / Copy: 56 dBA / Scan: 57 dBA	Printing: 56 dBA / Copy: 56 dBA / Scan 57 dBA
Product warranty	1-Year Onsite Service, Next Business Day		
Size (in. - H x W x D) / weight (lb.)	dfe: 44.6 x 26.1 x 28.9 in. / 193.2 lb. – dxfe: 54.1 x 26.1 x 28.9 in. / 220.4 lb.		

¹Average standard page yield value declared in accordance with ISO/IEC 19752. ²"Maximum monthly duty cycle" is defined as the maximum number of pages a device could deliver in a month using a multishift operation. This metric provides a comparison of robustness in relation to other Lexmark printers and MFPs. ³"Recommended monthly page volume" is a range of pages that helps customers evaluate Lexmark's product offerings based on the average number of pages customers plan to print on the device each month. Lexmark recommends that the number of pages per month be within the stated range for optimum device performance, based on factors including: supplies replacement intervals, paper loading intervals, speed, and typical customer usage. ⁴Print and copy speeds measured in accordance with ISO/IEC 24734, excludes first set of test documents. For more information see: www.lexmark.com/ISOspeeds. ⁵Product functions only with replacement cartridges designed for use in a specific geographical region. See www.lexmark.com/regions for more details. ⁶For more information on Lexmark Mobile Solutions see: www.lexmark.com/mobile

This is a Class A device according to the FCC Rules and international electromagnetic emissions standards. This device is not intended for use in residential or domestic environments due to potential interference to radio communications.

MX810 Series printer features



Standard
 Optional

© 2016 Lexmark and the Lexmark logo are trademarks of Lexmark International, Inc., registered in the United States and/or other countries. All other trademarks are the property of their respective owners. ENERGY STAR® is a U.S. registered mark.

AirPrint and the AirPrint logo are trademarks of Apple Inc.