

Lexmark X642e

An easy-to-use touch screen laser MFP to enhance your business processes.



LEXMARK

Lexmark X642e

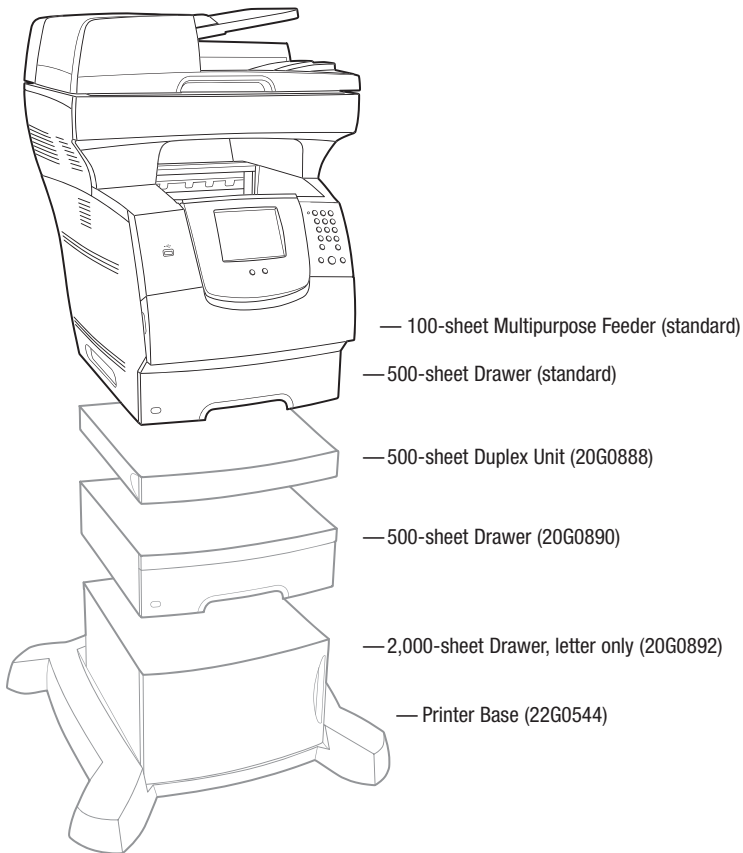
- Lexmark e-Task 5.7-inch monochrome touch screen provides access to print, copy, fax and scan-to-email functions
- Direct printing of PDF and image files through the front USB Direct Interface
- Scan up to legal-size documents at 600 x 600 dpi black and 600 x 300 dpi color
- Copy or print at up to 45 ppm with a time to first copy as fast as 8.5 seconds

In the Box	<ul style="list-style-type: none"> • X642e MFP • 10,000-page Return Program Print Cartridge • Setup Sheet • Software and Documentation CD • Power Cord • RJ-11 Phone Cable
Part Number (US/Can.)	22G0550
Product Class	Workgroup laser MFP
Print Speed	up to 45 ppm
Time to First Page	As fast as 8.5 seconds
Print Resolution	1200 x 1200 dpi, 2400 image quality printing, 600 x 600 dpi
Processor	514 MHz
Memory (std./max.)	128MB/640MB
Connectivity	
Standard	USB, Ethernet, USB Direct Interface
Optional	Local: Parallel, Serial, Wireless, Gigabit Ethernet, Fiber Optic
Option Slots	DRAM DIMM slots: 1; ISP (INA) slots: 1; Firmware Card/Flash memory slots: 2
Printer Languages	PostScript 3, PCL 6 and PPDS Migration Tool
Direct Print Formats	jpeg, tiff, gif, bmp, png, pcx, dcx, pdf v1.5, html
Fonts	PostScript: 158 scalable; PCL: 89 scalable including OCR-A, OCR-B and Code 3 of 9 bar codes, 2 bitmapped; PPDS: 39 scalable, 5 bitmapped
Operating Systems	Microsoft Windows, Mac, NetWare, UNIX and Linux
Acoustics	Printing: 56 dBA; Copying: 57 dBA; Scanning: 52 dBA; Idle: 30 dBA
Size (WxDxH)	22 in. x 25.4 in. x 28 in. (560 mm x 645 mm x 710 mm)
Weight	80 lb. (37.7 kg)
Paper Capacity	
Standard Input	600 (500 + 100 MPF)
Maximum Input	3100 (500 + 500 + 2000 + 100 MPF)
Standard Output	500
Maximum Output	500
Paper Sources (sheets)	
Standard Input	2
Maximum Input	4
Standard Output	1
Maximum Output	1
Media Information	
Types	Plain paper, paper labels, card stock, transparencies, envelopes, vinyl labels, polyester labels, dual web and integrated labels
Size	Letter, Legal, A4, A5, JIS B5, Executive, Folio, Statement, Universal (2.75 in. x 5 in. to 8.5 in. x 14 in), envelopes (7 ³ / ₄ , 9, 10, DL, C5, B5)
Weight	Plain Paper: 16 to 47 lb. (60 to 176 g/m ²); Card stock: up to 110 lb. index (199 g/m ²)
Warranty	1-year Onsite Repair

Lexmark X642e

Scanner Specifications	
Scanner Type	Color/Mono Flatbed with ADF
Max Optical Resolution	600 x 600 dpi (mono); 300 x 300 dpi (color)
Scan Area (flatbed)	8.5 in. X 14 in. (216 mm X 356 mm)
Scanner ADF	
Type	Simplex C-Path
Capacity	50 sheets at 20 lb. (75 g/m ²)
Media Weights	Minimum: 15 lb. (56 g/m ²); Maximum: 32 lb. (128 g/m ²)
Max Speed	Mono: Up to 35 spm; Color: Up to 17 spm
Scan Area (ADF)	Minimum: 4.5 in. x 5.5 in. (114 mm x 139.7 mm); Maximum: 8.5 in. x 14 in. (216 mm x 356 mm)
Fax Specifications	
Standard Fax Modem	Analog; 33.6 Bps maximum
Transmission Speed	Approximately 3 seconds per page
Speed Dials	Minimum 5,000 (based on 10-digit phone number)
Resolutions	200 x 100 dpi, 200 x 200 dpi, 300 x 300 dpi, 400 x 400 dpi

Paper Handling Options



Options not pictured

- 250-sheet Drawer (20G0889)
- 250-sheet Tray (20G0879)
- 500-sheet Tray (20G0884)
- 250-sheet Universally Adjustable Drawer (20G1223)
- 400-sheet Universally Adjustable Drawer (20G1218)
- 250-sheet Universally Adjustable Tray (20G1224)
- 400-sheet Universally Adjustable Tray (20G1217)
- 85-sheet Envelope Feeder (20G0891)

Supplies & Accessories

Part Number

Solutions	Font Cards (Double-Byte Character Set)	
	Traditional Chinese Font Card	1021242
	Japanese Font Card	1021243
	Korean Font Card	1021240
	Simplified Chinese Font Card	1021241
	Bar Code Card	22G0626
	Forms Card	22G0627
	PrintCryption Card	22G0628
Supplies	21,000-page High Yield Return Program Print Cartridge ¹	X644H11A
	21,000-page High Yield Return Program Print Cartridge for Label Applications ¹	X644H01A
	21,000-page High Yield Print Cartridge ¹	X644H21A
	10,000-page Return Program Print Cartridge ¹	X644A11A
	10,000-page Print Cartridge ¹	X644A21A
	Maintenance Items:	
	Separator Roll Kit	40X0454
	Pick Up Assembly	40X0453
	Pressure Pad Cushion	40X0466
	Charge Roll Kit	40X0127
	Transfer Roll Kit	40X0130
	Label Fuser Wiper	40X2665
	Pick Tires	40X0070
	Fuser Maintenance Kit	40X0100
Media	Transparencies (letter)	70X7240
Furniture	Low Profile MFP Stand	16C0379
	MFP Stand with Cabinet	16C0369
	10-inch Spacer Cabinet	22G0551
	MFP Stand	16C0389
Connectivity	External Print Servers	
	MarkNet N7020e Gigabit Ethernet Print Server ²	14T0220
	N4050e Wireless 802.11g Print Server ²	14T0145
	Internal Print Servers ³	
	MarkNet N8020 Gigabit Ethernet	14S0200
	MarkNet N8030 Fiber Ethernet	14S0220
	MarkNet N8050 802.11g Wireless	14S0165
802.11g Wireless Print Adapter	1010042	
Adapters	Parallel 1284-B Interface Card	1021091
	RS-232C Serial Interface Card	1021092
Cables	10-foot Parallel Cable	1021231
	6-foot USB Cable	1021294
Memory options	128MB DRAM	13N1523
	256MB DRAM	13N1524
	512MB DRAM	13N1526
	32MB Flash Card	1021208
	64MB Flash Card	1021209

¹ Declared yield in accordance with ISO/IEC 19752.

² Requires USB connection

³ Use of an Internal Print Server disables the Ethernet card resident in the printer

